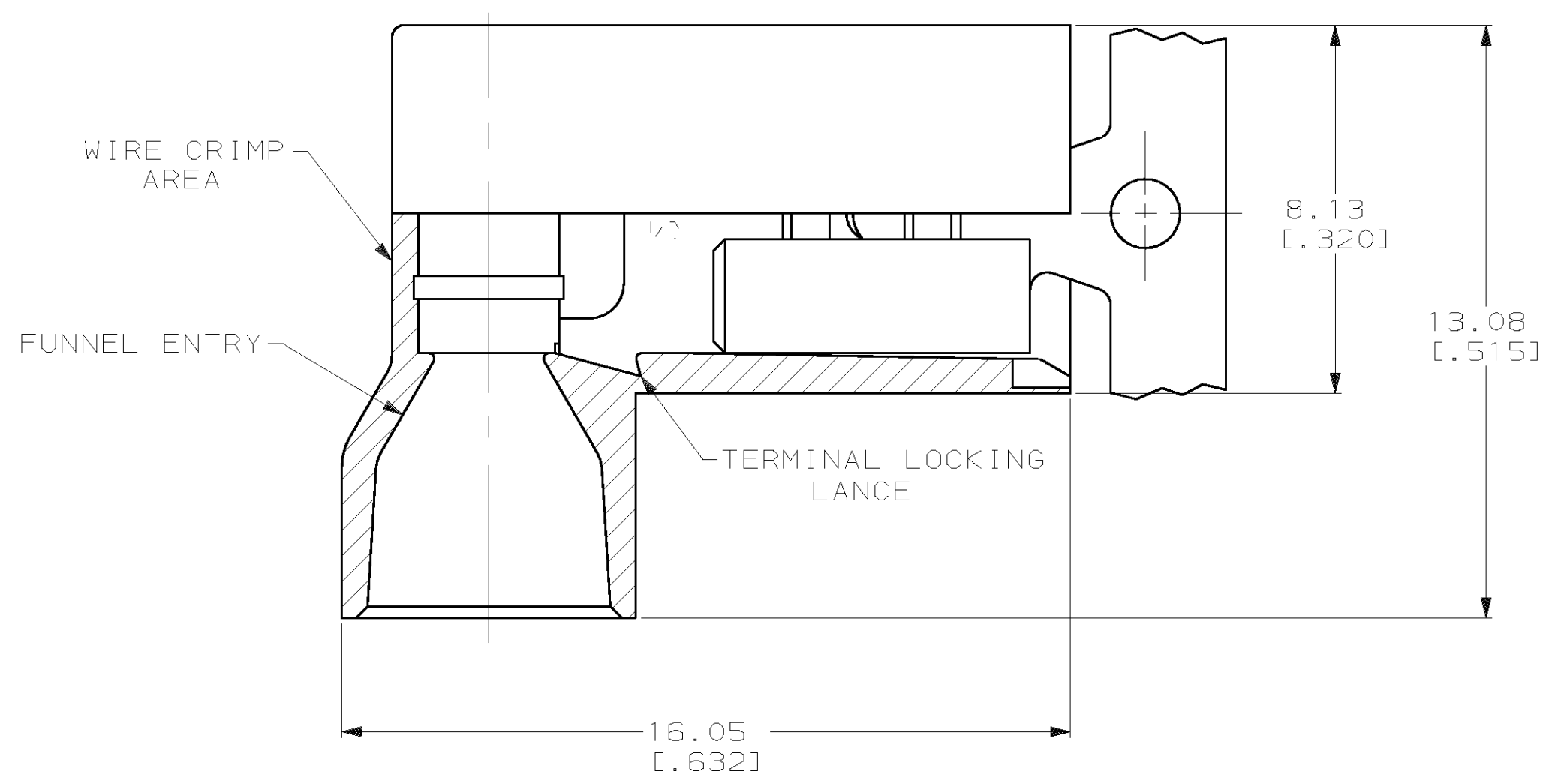
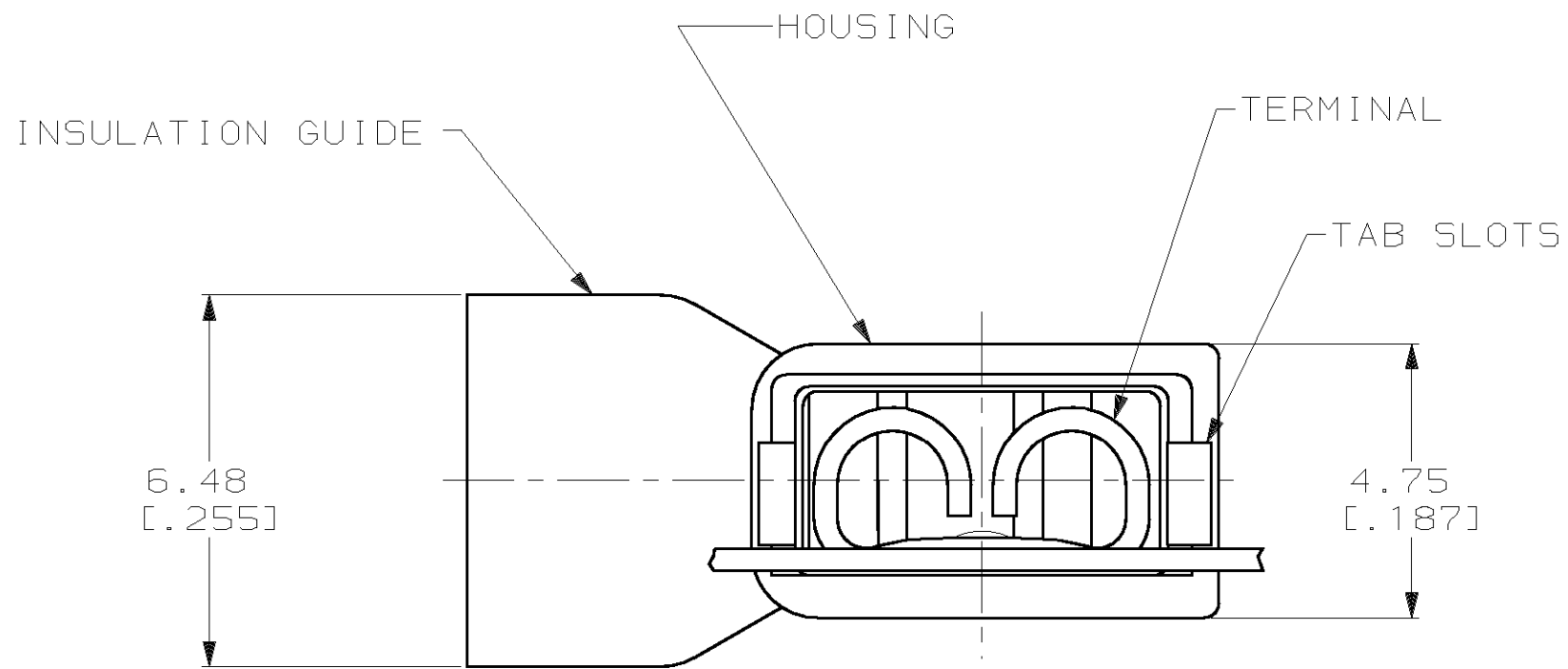
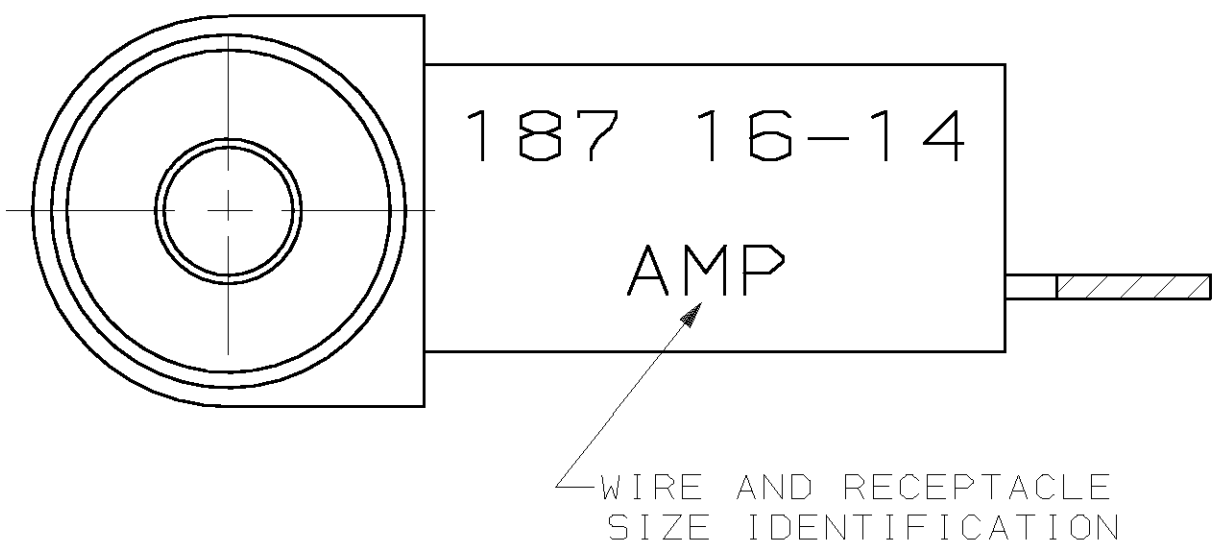


THIS DRAWING IS UNPUBLISHED. RELEASED FOR PUBLICATION
 © COPYRIGHT 19 BY AMP INCORPORATED. ALL INTERNATIONAL RIGHTS RESERVED.

LOC		DIST		P		F		ZONE		LTR		REVISIONS		
DESCRIPTION		DATE		APPD										
AF	50									H		REV PER 0G3A-0081-99	09AUG99	JR/JH



- 1 FITS 0.81±0.025 X 4.75 [.032±.001 X .187] TAB
- 2 WIRE SIZE: 1.3-2.0mm² [16-14 AWG], STRANDED ONLY. STRIP LENGTH 7.14 [.281]
- 3 INSULATION SIZE: 4.70 [.185] MAX DIA.
- 4 CONTINUOUS STRIP.



TYPE	COLOR	MATERIAL	FINISH	PART NO
6/6 NYLON	BLACK	0.41 [.016] #4H BRASS	0.002032 [.000080] MIN TIN PL	9-520340-2
	BLUE TRANSLUCENT			3-520340-2

DO NOT SCALE PRINT. UNLESS SPECIFIED DIMENSIONS IN mm [INCHES] TOLERANCES ON: 2 PLC DEC ± 0.38 [.015] 3 PLC DEC ± - ANGLES ± -	DR 8/9/90 P FORTNEY	AMP Incorporated Harrisburg, PA 17105-3608
	CHK 8/9/90 JR RUTH	
MATERIAL SEE TABLE	APPD 8/9/90 D BRATINA	NAME RECEPTACLE ASSEMBLY, ULTRA-FAST FLAG, 4.75 [.187] SERIES
FINISH SEE TABLE	APPD 8/9/90 R KUZO	SIZE C 00779
	PRODUCT SPEC 108-2043	DRAWING NO 520340
	APPLICATION SPEC 114-2123	SCALE 8:1
	WEIGHT -	SHEET 1 OF 1

METRIC